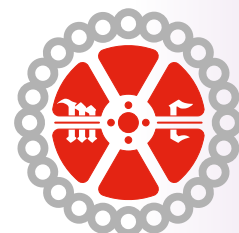




WOOL APPAREL

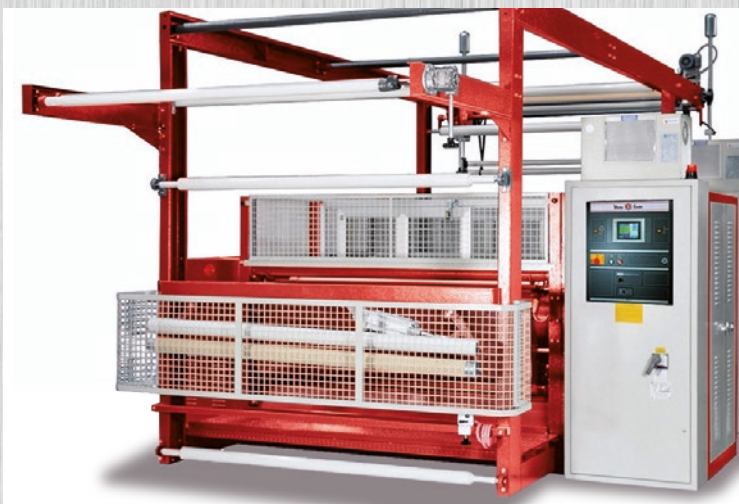
Raising
Shearing
Teasel
Wet Brushing
Decatizing
Polishing



MARIO CROSTA
SINCE 1925

POLISHING

Polishing machine MPR I (Pol Rotor)
Rotary press CSB/20 ton



Extra shining effect and maximum pile orientation.

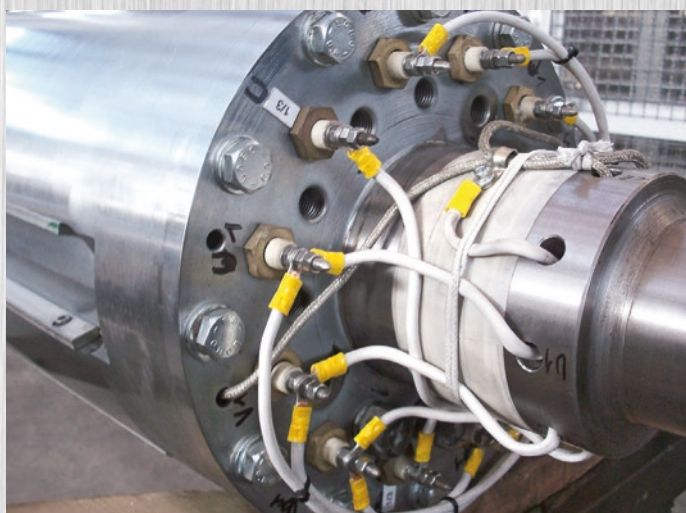
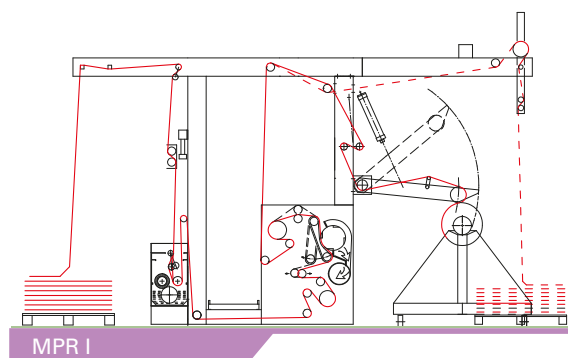
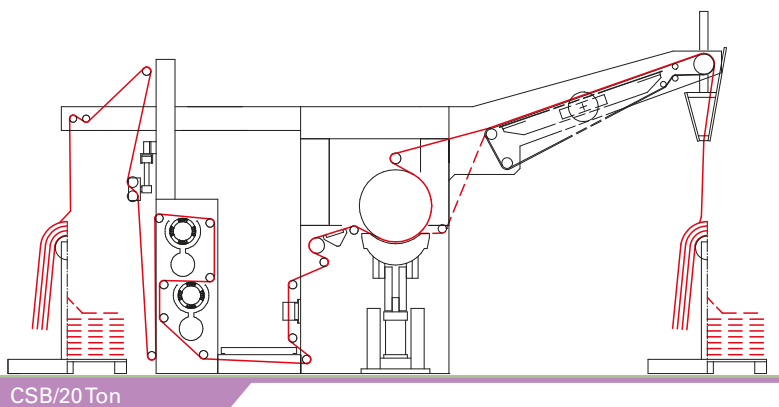
Machines suitable for giving polishing/shining effects on wool and blends.

Rotary press equipped with a processing cylinder and a contrast bed, both made of cast iron and steam heated.

Pole Rotor machine with strongest polishing effect when processing blends with acryl.

PLUS

- » **Cast iron calendering (ironing) cylinder**, casted in one piece, \varnothing 600 mm.
- » **Cast iron contrast bedpress** with rectified surface.
- » **Automatic control and adjustment of the temperature** on cylinder and bed.
- » **Fabric ironing.**
- » **Inlet overfeeding (boosting) cylinder** to adjust the fabric tension before entering the calendering cylinder ($\pm 10\%$).
- » **Steaming basin before the calendering cylinder.**
- » **Inlet fabric widening** device.
- » **Outlet folding group** with cylinder of large diameter, connected to a fan for the cooling of the fabric before being folded.





WORLDWIDE COVERAGE

With the largest global coverage of 70 countries, and the biggest amount of machines placed all over the world (more than 9.200 units), Mario Crosta is the oldest and biggest producer of textile face finishing company in the world.



SUSTAINABLE TECHNOLOGIES

Mario Crosta machines are chosen by the best and biggest brands in the world to reach and maintain the highest level of quality, not forgetting the lowest production costs, achieved thanks to the up-to-date technology, and the low impact on the environment. Mario Crosta, in fact, for many years, has chosen to become a symbol of Green technology.



OUR SERVICE

The after sale service has always been a goal Mario Crosta has always focused on. In addition to the headquarter division in Italy, which manages and organizes the requests from all over the world, a network of service centers throughout the globe ensures a fast and efficient service wherever customers are.



OUR MISSION

Mario Crosta Group, in business since 1925, aims at meeting every customer's demand in textile finishing with competence, timeliness and professionalism, through a highly motivated and involved team and a constant attention to research and development. We offer innovative high value-added solutions to meet any worldwide market's growing technological needs.

WOOL APPAREL

Raising
Shearing
Teasel
Wet Brushing
Decatizing
Polishing

WOVEN APPAREL

Raising
Shearing
Brush Sueding
Diamond Emery

KNIT APPAREL

Cotton Fleece
Performance Fleece
Polar Fleece
Brush Sueding
Shearing

HOME TEXTILE

Raising
Velvet Line
Shearing
Sueding

MARIO CROSTA

SINCE 1925



Mario Crosta s.r.l.

📍 21052 Busto Arsizio (VA) - Italy - Corso Sempione, 67

☎ +39 0331 631380 📠 +39 0331 631612

🌐 www.mariocrosta.com ✉ info@mariocrosta.com