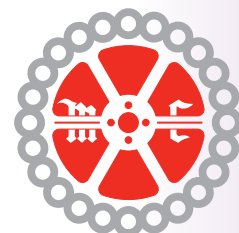




WOOL APPAREL

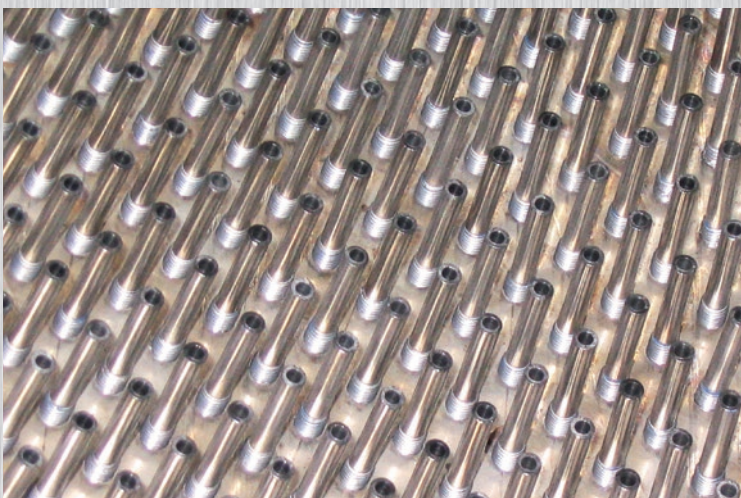
Raising
Shearing
Teasel
Wet Brushing
Decatizing
Polishing



MARIO CROSTA
SINCE 1925

DECATIZING

Decatizing machine DSS



High power atmospheric decatizer

Discontinuous decatizing machine suitable for processing high quality wool fabrics and blends, both worsted and woollen.

It confers the fabrics an extraordinary touch/feel and the requested dimensional stability.

Very suitable for preparation to KD, when processing worsted fine wool.

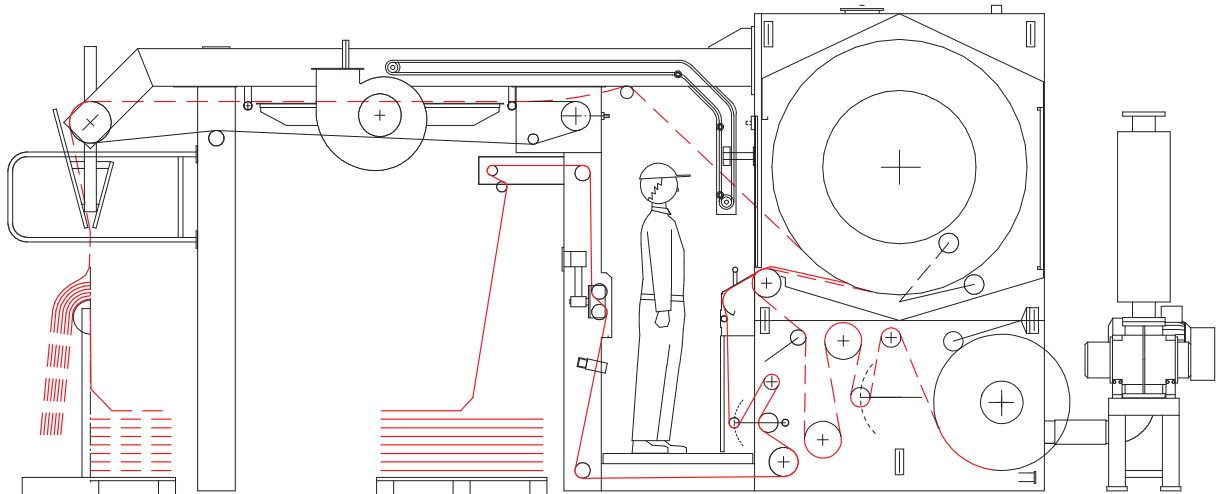
PLUS

- » **Regular decatizing effects** throughout the whole length of the fabric loaded in the machine.
- » **Rapid steam penetration.**
- » **Inside/outside steam injection.**
- » **Stainless steel decatizing cylinder**, Ø 900 mm.
- » **Decatizing chamber frontal door** with automatic driving system.
- » Pressing **cylinder**.
- » **Wrapper aligning** (centering) device.
- » **Wrapper winding** device.
- » **Wrapper drying cylinder**.
- » **Fabric aligning** (centering) device.
- » **Horse-back folder.**

Technical data

Installed power	36 kW
Decatizing cylinder	900 mm
Steam consumption	460 kg/h
Winding/Unwinding speed	120 m/min
Satin wrapper	600 m
Machine width	1800 mm

Impact on the environment Compliant with all safety, EMC and noise European standards.



DSS





WORLDWIDE COVERAGE

With the largest global coverage of 70 countries, and the biggest amount of machines placed all over the world (more than 9.200 units), Mario Crosta is the oldest and biggest producer of textile face finishing company in the world.



SUSTAINABLE TECHNOLOGIES

Mario Crosta machines are chosen by the best and biggest brands in the world to reach and maintain the highest level of quality, not forgetting the lowest production costs, achieved thanks to the up-to-date technology, and the low impact on the environment. Mario Crosta, in fact, for many years, has chosen to become a symbol of Green technology.



OUR SERVICE

The after sale service has always been a goal Mario Crosta has always focused on. In addition to the headquarter division in Italy, which manages and organizes the requests from all over the world, a network of service centers throughout the globe ensures a fast and efficient service wherever customers are.



OUR MISSION

Mario Crosta Group, in business since 1925, aims at meeting every customer's demand in textile finishing with competence, timeliness and professionalism, through a highly motivated and involved team and a constant attention to research and development. We offer innovative high value-added solutions to meet any worldwide market's growing technological needs.

WOOL APPAREL

Raising
Shearing
Teasel
Wet Brushing
Decatizing
Polishing

WOVEN APPAREL

Raising
Shearing
Brush Sueding
Diamond Emery

KNIT APPAREL

Cotton Fleece
Performance Fleece
Polar Fleece
Brush Sueding
Shearing

HOME TEXTILE

Raising
Velvet Line
Shearing
Sueding

MARIO CROSTA

SINCE 1925



Mario Crosta s.r.l.

📍 21052 Busto Arsizio (VA) - Italy - Corso Sempione, 67

☎ +39 0331 631380 📠 +39 0331 631612

🌐 www.mariocrosta.com ✉ info@mariocrosta.com